



Alpine Flowtech

Control Valves, Sewage Air Valves, Controllers, Pressure, Flow, Level & Leakage Management.

Unit No. 1, B Wing, Swarajya Complex, Rajlaxmi Compound, Opp. Bewakoof Textile Factory Outlet, Kasheli, Kalher, Tal. Bhiwandi, Dist. Thane Pin 421302. Contact: 8850001856/9867025324/8978558585.

Email: alpineflowtech@gmail.com. GSTIN - 27ABOFA0019J1ZI

UNIVERSAL FLANGE ADAPTOR



Universal Flange Adaptor, a specialized solution for Fixing Valves of PN 10 or PN 16 flange drilling into ONE ADAPTOR. No worries if the Purchase Department orders PN 16 - drilled Valves and your SITE receives supply of PN 10 Tail Pieces or Vice Versa. The adaptor is in High quality Ductile Iron with RAL 5017 blue epoxy coating of 250 microns and a WRAS approved EPDM Gasket. The fasteners are corrosion resistant zinc coated. It is a quick and hassle-free jointing solution.

TECHNICAL SPECIFICATION

Size & Design	OD 59.0- 647.0 mm. Design as per manufacturers design & drawing.
Medium:	Water & Wastewater
Pressure:	
Working Pressure:	10 or 16
Testing Pressure:	1.5 X PN
Temperature:	Max. 50 deg.
Flange Drilling:	According to EN1092-1, PN10 or 16
Material:	
Adaptor Flange	Ductile Iron BS EN1563 GJS 500/7
End Flange	Ductile Iron BS EN1563 GJS 500/7
Gasket	EPDM (WRAS APPROVED)
Stud Bolt	Zinc Dacromet Steel Grade 8.8 / Equivalent
Nut	Zinc Dacromet Steel Grade 8.8 / Equivalent
Washer	Zinc Dacromet / Equivalent
Coating	Min 250µ epoxy coating RAL 5017 blue/Equivalent
Option:	
Tie lug & tie rod	Mild steel to BS EN10025-2:2004 Grade S275JR



Alpine Flowtech

Control Valves, Sewage Air Valves, Controllers, Pressure, Flow, Level & Leakage Management.

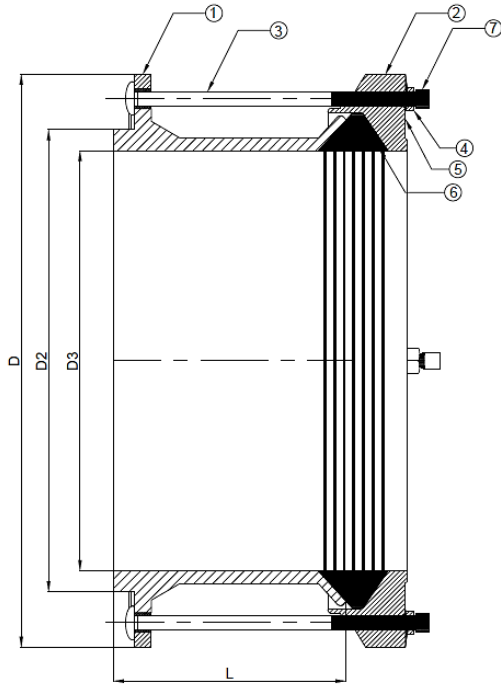
Unit No. 1, B Wing, Swarajya Complex, Rajlaxmi Compound, Opp. Bewakoof Textile Factory Outlet, Kasheli, Kalher, Tal. Bhiwandi, Dist. Thane Pin 421302. Contact: 8850001856/9867025324/8978558585.

Email: alpineflowtech@gmail.com. GSTIN - 27ABOFA0019J1ZI

UNIVERSAL FLANGE ADAPTOR

Drilling Compatibility as per below Dimensional Table.

1 BN1092-2 PN10/ 16
2 ANSI B16, Class 125/ 150
3 BS10 TABLE D
4 BS10 TABLE E



NO	PART NAME
1	ADAPTOR FLANGE
2	END RING
3	STUD BOLT
4	HEX NUT
5	FLAT WASHER
6	RUBBER GASKET
7	PLASTIC CAP

DN	Body Dimension		Flange Dimension			Bolt Dimension		Gasket	Est. Weight (Kg)	
	Sealing OD Range (MM)	L (mm)	Drilling*	D	D2	D3	MXL1			No of Bolt
50	59-72	82	1, 2, 3, 4	165	99	77	M12 X 125	2	UE1	3.5
65	72-85	82	1, 2, 3, 4	185	108	90	M12 X 125	2	UE1	3.8
80	88-103	82	1, 2, 3, 4	200	132	108	M12 X 125	4	UE1	4.8
100	109-128	82	1, 2, 3, 4	220	156	133	M12 X 125	4	UE1	6.1
125	132-153	82	1, 2, 3, 4	250	184	158	M12 X 140	4	UE1	7.0
150	159-182	82	1, 2, 3, 4	285	211	187	M12 X 140	4	UE1	708.0
175	192-210	82	1,2,4	340	266	215	M12 X 140	4	UE1	11.6
200	218-235	82	1,2,4	340	266	241	M12 X 140	4	UE1	12.0
225	242-267	82	1,2,4	405	319	272	M12 X 140	6	UE1	13.6
250	272-289	90	1,2,4	405	319	295	M12 X 140	6	UE1	14.5
300	315-332	90	1,2	460	370	338	M12 X 150	6	UE1	18.5
300	322-339	90	1,2	460	370	345	M12 X 150	6	UE1	18.9
300	340-360	115	1,2	460	350	312	M12 X 180	8	UE1	41.5
350	351-378	115	1,2,4	520	425	350	M12 X 180	8	UE1	43.8
350	374-391	115	1,2	520	425	393	M12 X 180	8	UE1	43.8
400	425-442	115	1,2	580	477	444	M12 X 180	8	UE1	52.8
500	526-544	115	1,2	715	585	548	M12 X 180	10	UE1	68.2
600	630-647	115	1,2	840	682	650	M12 X 180	10	UE1	84.7

❖ Mumbai | Hyderabad | Ahmedabad



@ 2020- This is intellectual property of Alpine Flowtech, and unauthorized usage is not permitted.